

TAKSTAR® 得胜



E17 **新版N** 手提式无线扩音器 Portable Wireless Amplifier

使用手册 | User Manual

■ 前言

尊敬的用户：

感谢您选购得胜E17新版手提式无线扩音器，为了您能够更好的了解使用本产品，建议您在使用前仔细阅读本说明书。

若存在有疑问或者您有宝贵的建议，可通过拨打得胜官方服务热线400 6828 333或微信扫描二维码关注得胜官方公众号与我们联系。



■ 产品特性

- 采用UHF无线技术，在无碍无干扰环境下，使用距离约40米；
- 配备无线手持、头戴麦克风，采用自动对频技术，操作简单，使用方便；
- 采用class D数字功放模块，低功耗高效率，50W音频功率输出，声音洪亮清晰；
- 支持无线播放功能，可连接手机、电脑、平板等设备播放音乐；
- 配置独立音量调节、高低音调节、混响调节满足不同场合的使用；
- 具有音乐播放功能，支持USB的多媒体音频文件播放；
- 具有音频信号输入、音频信号输出功能；
- 内置FM收音功能，可自动搜索电台多个频道；
- 扩音器内置大容量锂电池，可循环充电使用，续航时间可达8小时。

■ 适用范围

- 适用于教学、培训、演讲、户外宣传等场合

■ 产品配置

• E17扩音器	1台
• 无线头戴麦克风	1个
• 无线手持麦克风	1支
• 5号碱性电池	2节
• 音频转换线（ $\Phi 6.35\text{mm}$ 转 $\Phi 3.5\text{mm}$ ）	1条
• Type-C充电线	1条
• 电源适配器	1个
• 说明书	1份

■ 技术参数

主机

- 频率响应：100Hz-15kHz
- 峰值功率：50W
- 扬声器阻抗：4 Ω
- UHF频率：630MHz-698MHz（分段）
- UHF使用距离：无干扰空旷地带约40米
- 电池规格：11.1V/4400mAh
- 充电电压：DC 15V/1A
- 充电时间：约5小时
- 使用时间：约8小时
- 单机重量：约2386g

手持麦克风

- 拾音器：动圈
- 指向性：单指向
- 频率响应：60Hz-16KHz
- 灵敏度：-55±3dB (0db=1V/Pa/m at 1KHz)
- UHF频率：630MHz-698MHz (分段)
- UHF使用距离：无干扰空旷地带约40米
- 供电方式：1.5V AA电池 (2节)
- 产品尺寸：Φ36mm*245mm (直径*长)
- 净重：约273g

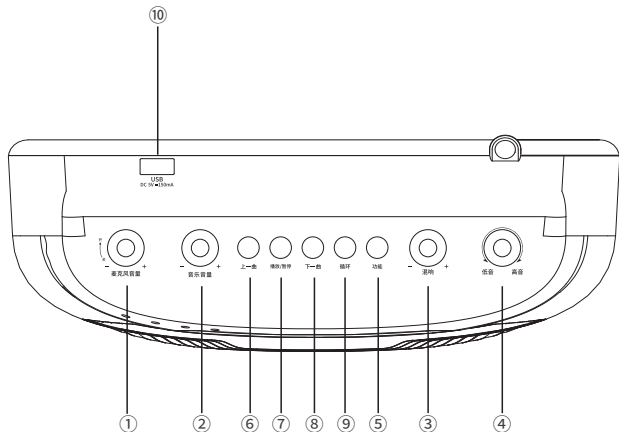
头戴麦克风

- 拾音器：背极式驻极体
- 指向性：单指向
- 频率响应：60Hz-16kHz
- 灵敏度：-48至-53dB(0db=1V/Pa/m at 1kHz)
- UHF频率：630MHz-698MHz (分段)
- UHF使用距离：无干扰空旷地带约40米
- 电池类型：锂离子电池
- 电池容量：3.7V 400mAh
- 充电规格：DC 5V 200mA
- 充电时间：约2小时
- 使用时间：约5小时
- 单机重量：约39g

注：以上数据由得胜实验室测试得到，并拥有最终解释权！

■ 功能示意

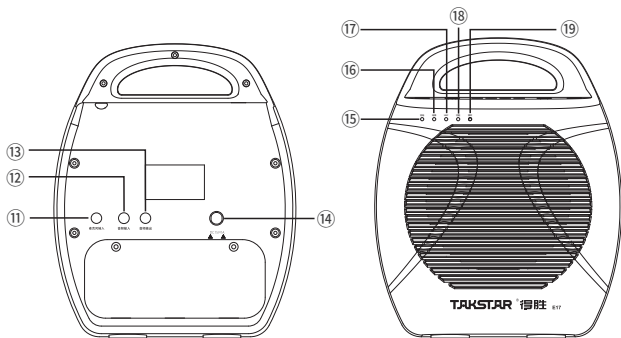
扩音器



- ① 电源开关&麦克风音量旋钮：关机状态下，向“开”方向旋转旋钮，听到“哒”一声，表示扩音器已开机，此时电源指示灯蓝灯常亮，并伴随语音提示（麦克风模式）；继续向“开”方向旋转声音逐渐增大，反之向“关”方向旋转则声音逐渐减小，直至听到“哒”一声关机。
- ② 音乐音量旋钮：在USB、无线播放、收音、音频输入模式播放状态下，顺时针旋转增大伴奏音量，反之减小伴奏音量。
- ③ 混响调节旋钮：顺时针旋转增大麦克风混响效果，反之减小麦克风混响效果。
- ④ 高低音调节旋钮：向左旋转逐渐增加伴奏的低音比例，向右旋转逐渐增加伴奏的高音比例。
- ⑤ 功能切换键：开机状态下，短按该按键可切换工作模式，并伴随相应的语音提示。

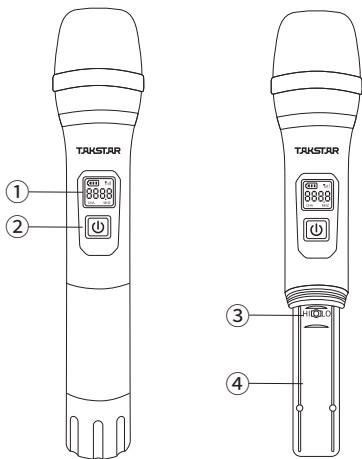
(当插入U盘和连接麦克风状态下, 长按此按键进入录音模式, 录制完成后长按此键可退出并保存录音, 退出录音模式后, 自动循环播放刚录制的内容)。

- ⑥ 上一曲键: 在USB、无线播放状态下, 短按此键切换为上一曲; 在收音模式下, 短按此键可切换上一个频道。
- ⑦ 播放/暂停键: 正常播放状态下, 循环点按此按键控制音乐的播放及暂停; 在无线播放模式下, 长按此键可断开无线连接; 在收音模式下, 长按此键可进入自动搜索广播频道。
- ⑧ 下一曲键: 在USB、无线播放状态下, 短按此键切换为下一曲; 在收音模式下, 短按此键可切换下一个频道。
- ⑨ 循环键: USB模式播放状态下, 短按此键可开启或关闭单曲循环播放功能。
- ⑩ USB接口: 可将储存有音频文件的U盘插入此孔进行播放, 并有对应语音提示“USB模式”。



- ⑪ 麦克风输入接口：将有线麦克风插头插入此孔，进入有线人声扩音状态。操作时，请不要将麦克风的拾音面朝向扩音器的扬声器，以免产生啸叫。
- ⑫ 音频输入接口：通过 $\Phi 6.35\text{mm}$ 转 $\Phi 3.5\text{mm}$ 音频转换线与手机、电脑、平板等播放设备连接，并有对应语音提示“音频输入模式”，可将扩音器作为有源音箱使用。
- ⑬ 音频输出接口：通过 $\Phi 6.35\text{mm}$ 音频线连接，将音箱的音源输出给其他含音源输入的设备。
- ⑭ 充电接口：通过标配的电源适配器为扩音器充电。
- ⑮ 充电指示灯：显示充电电量状态。充电时，充电指示灯红灯常亮，充满后绿灯常亮。
- ⑯ 电源指示灯：显示工作电量状态。电量充足时，指示灯蓝灯常亮；低电时红灯闪烁，请及时为扩音器充电。
- ⑰ UHF指示灯：显示发射器与扩音器连接状态。发射器连接时，UHF指示灯蓝灯常亮；未连接时指示灯熄灭。
- ⑱ 功能指示灯：显示模式状态。无线播放模式下，未连接时功能指示灯蓝灯快闪，连接后蓝灯慢闪；收音模式下，搜索频道时功能指示灯蓝灯闪烁；其它模式下功能指示灯蓝灯常亮。
- ⑲ 循环指示灯：显示单曲循环状态。单曲循环时，循环指示灯蓝灯常亮；非单曲循环时，循环指示灯熄灭。

手持麦克风



- ① 液晶显示屏：显示频率、麦克风信号、电池电量等信息。
- ② 电源按键：长按3秒开启或关闭麦克风；循环点按此键调节麦克风音量，分为（U08-U11）共4级音量，调节麦克风音量时扩音器会同时发出“滴”的一声提示音。
- ③ “HI/LO”按键：用于对频操作，详见本说明书“对频方法”部分。
- ④ 电池仓：装入2节1.5V AA电池。

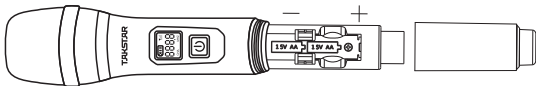
麦克风显示屏



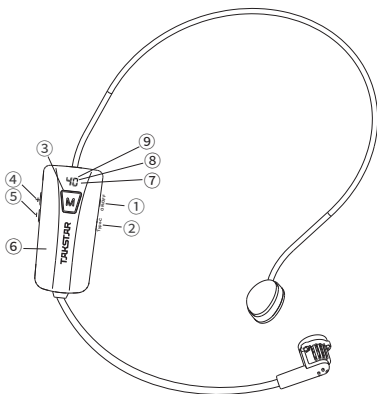
- ① 电池电量：电池电量有三格，以格数表示电池电量，电量不足时，电池符号闪烁，请及时更换电池。
- ② 信号符号：“Y”表示麦克风信号。
- ③ 频率信息：显示当前麦克风的工作频率，（635.5MHz-654.5MHz）共20个频率；对频操作时，频率闪烁。
- ④ 音量信息：调节麦克风音量时，屏幕显示“U 00”表示当前麦克风音量等级，3秒后恢复显示频率信息。

麦克风电池安装

逆时针扭开麦克风尾盖，将2节5号干电池按电池仓标明的正负极性安装，注意电池极性不要装反；然后顺时针旋紧麦克风的尾盖。如下图：



头戴麦克风



- ① 电源开关：向ON方向推动，蓝灯⑥亮，表示麦克风已经进入开机状态；向OFF方向推动，蓝灯⑥熄灭，表示耳麦已经进入关机状态。
- ② 充电插口：将Type-C充电线插入此孔，另一端连接通用的USB输出充电器，即可进行充电，充电指示灯红灯亮。
- ③ “M” 频道切换按键：用于调频操作，详见本说明书的“对频方法”部分。
- ④ “+” 按键：点按增加麦克风音量；在对频状态下，点按切换上一个频道，长按快速跳转频道。
- ⑤ “-” 按键：点按减小麦克风音量；在对频状态下，点按切换下一个频道，长按快速跳转频道。
- ⑥ 指示灯：关机未充电时，指示灯熄灭；开机时常亮蓝灯；电量充足时，指示灯常亮蓝灯；电量不足时，指示灯蓝灯闪烁；充电过程中红灯常亮，充满后红灯熄灭。
- ⑦ 显示屏：显示工作频道、麦克风音量、功率模式。
- ⑧ 工作频道/麦克风音量：默认显示当前工作频道，有“01-20”共20个工作频道；当点按音量“+”、“-”键时，则显示音量大小，有“U1-U8”共8级音量，3秒后恢复正常数值；10秒后无任何操作，显示屏将自动熄灭。

- ⑨ 同时点击M按键和“-”按键为低功率，同时显示屏上会显示低功率的提示“E0”，同时点击M按键和“+”按键为高功率，同时显示屏上会显示高功率的提示“E1”（低功率无线使用距离在10米左右，高功率无线使用距离在40米左右）。

■ 使用说明

一、对频方法

产品出厂时已默认配对好，开机会自动连接，无需配对。如遇有信号干扰，可按下面方法进行重新配对或变频。

手持麦克风

1. 对频方法

- ① 首先确保无线麦克风及扩音器都处于关机状态。
- ② 打开无线手持麦克风电源，然后拧开麦克风底部的尾管，长按麦克风的“HI/LO”键3秒，待屏幕进入快闪状态后松开，此时立刻打开扩音器电源开关开始对频。如果10秒钟内没有打开扩音器电源开关，则对频失败。
- ③ 当手持麦克风频率由闪烁变为常亮且扩音器的UHF指示灯常亮蓝灯，对手持麦克风说话有声音，表示配对成功。如对着手持麦克风说话没声音，则说明配对不成功，请按照上面方法重新配对。

2. 变频方法

同时打开扩音器及无线手持麦克风电源开关，确保在对频成功的情况下，点按“HI/LO”键，即可切换频率，同时显示屏频率数值变动。

头戴麦克风

1. 对频方法

- ① 首先确保头戴麦克风及扩音器都在关机状态。然后打开头戴麦克风电源开关，长按麦克风“M”键3秒，显示屏循环转圈时松开，此时立刻打开扩音器电源开关，等待麦克风的显示屏从转圈变为静态数值，对着麦克风说话有声音，表示配对成功；如果麦克风进入对频状态后，10秒钟内没有打开扩音器电源开关，则对频失败，显示屏从转圈变为静态数值。
- ② 如对着头戴麦克风说话没声音，说明配对不成功，请按上面方法重新配对。

2. 变频方法

打开扩音器及头戴麦克风电源开关，确保在对频成功的情况下，短按头戴麦克风上的“M”键进入变频，显示屏数值闪烁，此时点按音量“+”、“-”切换上、下频率，或长按快速跳转频道，再点按“M”键确认频率，如3秒钟无操作“M”键确认，频率停止闪烁并固定在当前选择的频率。

二、无线播放配对

首次使用本机时，需要与手机或无线播放设备配对连接，步骤如下：



1. 先打开扩音器电源开关，点按“M”键切换成无线播放模式，此时功能指示灯快速闪烁，表示正在搜索配对状态。
2. 进入手机的“设置”菜单，开启手机的蓝牙播放功能，待搜索到“TAKSTAR E17”，点击“TAKSTAR E17”进行连接，待功能指示灯由蓝灯快闪变为慢闪且伴有语音提示时，表示无线播放已连接成功。
3. 下次开机后选择到无线播放模式下，将自动回连最后一次使用的播放设备。
4. 在无线播放连接成功的情况下，长按“播放/暂停”按键可断开播放。

■ 安全警示

为避免电击、高温、着火、辐射、爆炸、机械危险以及使用不当等可能造成的人身伤害或财产损失，使用本产品前，请仔细阅读并遵守以下事项：



1. 使用产品时请确认所连设备与本产品是否匹配以及合理调整音量大小，不要在超过产品功率及大音量下长时间使用，以免造成产品异常；
2. 使用中若发现有异常（如冒烟、异味等），请立即关闭电源开关并拔掉电源插头，然后将产品送售后服务网点检修；
3. 消费者若使用电源适配器供电，则应购买配套使用获得CCC认证并满足标准要求的电源适配器；
4. 本产品及配件都应放置在室内干燥通风处，请勿长期存放在潮湿、灰尘多的环境，使用中避免靠近火源、雨淋、进水、过度碰撞、抛掷、振动本机及覆盖通风孔，以免损坏其功能；
5. 若产品需要固定于墙壁或天花板时，请确保固定到位，防止因固定强度不足导致产品发生跌落危险；
6. 使用该产品时需遵守相关安全规定，法律法规明确禁止使用场合请勿使用本产品，以免导致意外事故；
7. 请不要自行拆机改装或维修，以防止出现人身伤害，如有问题或服务需求请联系当地售后服务网点跟进处理。

■ 关于图标含义解释

 此符号表示，根据WEEE指令(2012/19/EU)和国家法律，由于这种类型的
 废弃物会有潜在的有害物质，可能对环境 and 人类健康产生负面影响，所以本产品不应与您的家庭垃圾一起处置，应将本产品交由授权的电气和电子设备（WEEE）回收站回收。同时，您在正确处理本产品的同时将有助于自然资源的有效利用。如需了解更多有关您可以在何处放置废物回收设备的信息，请联系您当地的城市办事处、废物管理局或家庭废物处理服务部门。

■ 环保说明

产品中有毒有害物质或元素的名称及含量标识表

部件名称	有毒有害物质或元素					
	铅 (Pb)	汞 (Hg)	镉 (Cd)	六价铬 (Cr(VI))	多溴联苯 (PBB)	多溴二苯醚 (PBDE)
塑料部件	○	○	○	○	○	○
金属部件	×	○	○	○	○	○
电路板组件	×	○	○	○	○	○
线缆	×	○	○	○	○	○
本表格依据SJ/T 11364的规定编制。 ○: 表示该有害物质在该部件所有均质材料中的含量均在 GB/T 26572 规定的限量要求以下。 ×: 表示该有害物质至少在该部件的某一均质材料中的含量超出 GB/T 26572 规定的限量要求。						
此标志为产品的环保使用期限标志， 且此环保使用期限只适用于产品正常工作的温度和湿度等条件。						
电池部份的环保使用期限为5年。						

■ 关于本说明书

本说明书中内容符合截止印刷之日的技术规格。由于得胜公司会不断改进产品，本说明书可能不符合您的特定产品的技术规格。要获取最新版说明书，请访问得胜官网，然后下载说明书文件。技术规格、设备或另售的附件在各个地区可能有所不同，如有问题请与当地得胜销售网点确认。如需更多支持和深层产品信息，请浏览得胜官方网站：<https://www.takstar.com>

■ Preface

Dear Customer,

Thank you for purchasing Takstar E17 Portable Wireless Amplifier - New Edition.

To better understand and use the product, please read this manual carefully.

If you have any questions or suggestions, please contact our local dealer.

■ Features

- UHF wireless transmission up to 40 meters in areas without interference and obstruction.
- Includes wireless handheld and head-worn mics featuring automatic frequency pairing.
- Powerful 50W audio output with clear sound from efficient class D digital amplifier module.
- Supports wireless playback for mobile phones, computers, and tablets.
- Customizable settings for volume, bass, treble, and reverb.
- USB support for multimedia audio file playback.
- Audio signal input and output capabilities.
- Built-in FM radio with automatic station search.
- Long-lasting rechargeable lithium-ion battery with up to 8 hours of battery life.

■ Application

- Teaching, training, public speaking, and outdoor promotions.

■ Package Contents

- E17 Amplifier1 PCS.
- Wireless Headset Microphone1 PCS.
- Wireless Handheld Microphone1 PCS.
- AA Alkaline Battery2 PCS.
- Audio Adapter Cable (ø6.35mm to ø3.5mm)1 PCS.
- Type-C Charging Cable1 PCS.
- Power Adapter1 PCS.
- User Manual1 PCS.

■ Specifications

Voice Amplifier

- Frequency Response: 100Hz-15kHz
- Peak Power: 50W
- Speaker Impedance: 4Ω
- UHF Frequency: 630MHz-698MHz (segmented)
- Operating Distance: Approx. 40m in interference-free open areas
- Battery Specification: 11.1V/4400mAh
- Charging Voltage: DC 15V/1A
- Charging Time: Approx. 5 hours
- Battery Life: Approx. 8 hours
- Weight: Approx. 2386g

Handheld Microphone

- Transducer: Dynamic
- Directivity: Unidirectional
- Frequency Response: 60Hz-16KHz
- Sensitivity: $-55 \pm 3\text{dB}$ ($0\text{dB}=1\text{V}/\text{Pa}/\text{m}$ at 1kHz)
- UHF Frequency: 630MHz-698MHz (segmented)
- Operating Distance: Approx. 40m in interference-free open areas
- Power Supply: 1.5V AA batteries (2 pcs.)
- Dimensions: $\varnothing 36\text{mm} \times 245\text{mm}$ (Dia*L)
- Net Weight: Approx. 273g

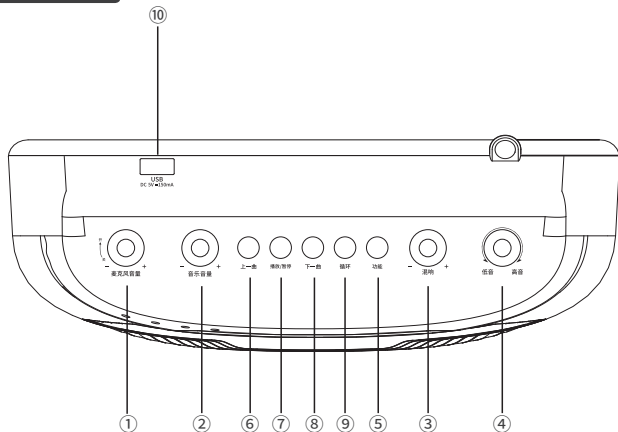
Headset Microphone

- Transducer: Back Electret Condenser
- Directivity: Unidirectional
- Frequency Response: 60Hz-16kHz
- Sensitivity: -48 to -53dB ($0\text{dB}=1\text{V}/\text{Pa}/\text{m}$ at 1kHz)
- UHF Frequency: 630MHz-698MHz (segmented)
- Operating Distance: Approx. 40m in interference-free open areas
- Battery Type: Lithium-ion Battery
- Battery Capacity: 3.7V 400mAh
- Charging Specification: DC 5V 200mA
- Charging Time: Approx. 2 hours
- Battery Life: Approx. 5 hours
- Weight: Approx. 39g

Note: The above data are measured by Takstar laboratory which has the final interpretation right!

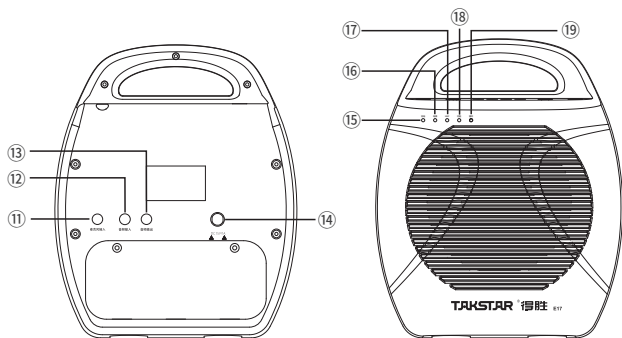
■ Function Descriptions

Voice Amplifier



- ① Power Switch & Mic Volume Knob: Rotate towards ON direction until you hear a click to power up the device. The power indicator will light up solid blue, accompanied by a voice prompt (microphone mode). Keep rotating towards ON direction to gradually increase the volume. Rotate towards OFF direction to gradually decrease the volume or until you hear a click to power off the device.
- ② Music Volume Knob: In USB, wireless playback, radio, and AUX input modes, rotate clockwise to increase the accompaniment volume, or vice versa.
- ③ Reverb Knob: Rotate clockwise to increase the mic reverb level, or vice versa.

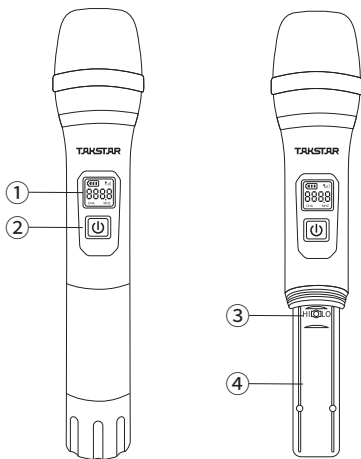
- ④ Bass & Treble Knob: Rotate to the left to increase the bass proportion of the accompaniment. Rotate to the right to increase the treble proportion of the accompaniment.
- ⑤ Function Switch Button: When powered on, short press to switch between different working modes, accompanied by corresponding voice prompts. (When a USB flash drive and mic are connected, long press this button to enter recording mode, and then long press this button again to exit and save the recording. Upon exiting recording mode, the recorded content will automatically play in a loop.)
- ⑥ Previous Track Button: In USB and wireless playback modes, short press to switch to the previous track. In FM radio mode, short press to switch to the previous channel.
- ⑦ Play/Pause Button: During normal playback, short press to play or pause music playback. In wireless playback mode, long press to disconnect wireless connection. In FM radio mode, long press to start automatic search for broadcasting channels.
- ⑧ Next Track Button: In USB and wireless playback modes, short press to switch to the next track. In FM radio mode, short press to switch to the next channel.
- ⑨ Loop Button: In USB mode, short press to enable or disable single track loop.
- ⑩ USB Interface: Insert a USB flash drive with audio files for playback, accompanied by a USB mode voice prompt.



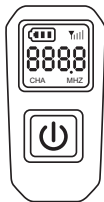
- ⑪ **Mic Input Interface:** Connect a wired mic to enter wired voice amplification mode. Please avoid pointing the mic's pickup side towards the speaker of the amplifier to prevent feedback.
- ⑫ **AUX Input Interface:** Connect the amplifier to mobile phones, computers, tablets, and other playback devices using a $\varnothing 6.35\text{mm}$ audio cable to use it as an active speaker, accompanied by a voice prompt about AUX input mode.
- ⑬ **Audio Output Interface:** Connect the amplifier to other devices that accepts audio input using a $\varnothing 6.35\text{mm}$ audio cable.
- ⑭ **Charging Interface:** Charge the amplifier using the included power adapter.
- ⑮ **Charging Indicator:** Displays the charging status. Solid red while charging and turns green when fully charged.
- ⑯ **Power Indicator:** Displays the working power status. Solid blue when power is sufficient, and flashes red when low power and requires charging timely.


- ⑰ UHF Indicator: Displays the connection status between the transmitter and the amplifier. Solid blue when connected and turns off when disconnected.
- ⑱ Function Indicator: Displays the mode status. Rapid blue flashes in wireless playback mode when not connected, and turns slow blue flashes once connected. Blue flashes in FM radio mode when searching for stations. Solid blue in other modes.
- ⑲ Loop Indicator: Displays the single track loop status. Solid blue when in single track loop mode, off when not.

Wireless Handheld Microphone



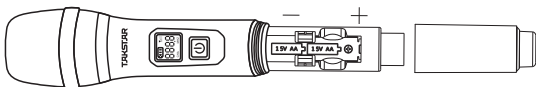
- ① LCD Display Screen: Shows frequency, mic signal, battery level, and other information.
- ② Power Button: Long press for 3 seconds to power on or off the mic. Press to adjust the mic volume cyclically. There are 4 levels of volume (U08-U11), and the amplifier will beep when adjusting the mic volume.
- ③ HI/LO Button: Used for frequency pairing, refer to the Frequency Pairing section in this manual for details.
- ④ Battery Compartment: Accepts two AA batteries.

Microphone Display Screen

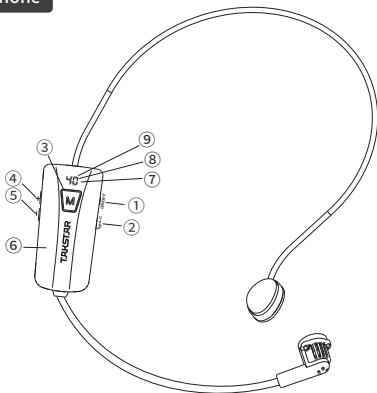
- ① Battery Level: Represented by three bars to indicate the remaining battery power. When the battery level is low, the battery symbol will flash, please replace the battery promptly.
- ② Signal Symbol:  indicates the mic signal.
- ③ Frequency Info: Displays the current working frequency of the mic, ranging from (635.5MHz-654.5MHz) with a total of 20 frequencies. During frequency adjustment, the frequency will flash.
- ④ Volume Info: When adjusting the mic volume, the screen will display "U 00" to indicate the current volume level. After 3 seconds, it will return to displaying the frequency information.

Wireless Mic Battery Installation

To install the mic battery, unscrew the mic bottom cap counterclockwise. Install two AA batteries according to the polarity indicated in the battery compartment. Then, rotate the mic bottom cap clockwise to tighten it back. See figure below.



Headset Microphone



- ① **Power Switch:** Slide to the ON or OFF position to turn on or off the device respectively.
- ② **Charging Port:** Insert the Type-C charging cable and connect to a standard USB output charger for charging.
- ③ **M Channel Switch Button:** Used for frequency adjustment, refer to the Frequency Pairing section in this manual for details.
- ④ **[+] Button:** Press to increase the mic volume. In frequency adjustment mode, press to switch to the previous channel, or long press to quickly jump to a channel.
- ⑤ **[-] button:** Press to decrease the mic volume. In frequency adjustment mode, press to switch to the next channel, or long press to quickly jump to a channel.
- ⑥ **Indicator Light:** Off when the device is powered off and not charging; solid blue when powered on with sufficient power; blue flashes if low power; solid red while charging and red light turns off when fully charged.
- ⑦ **LED Display Screen:** Displays the current working channel, mic volume, power setting, and other statuses.
- ⑧ **Working Channel/Mic volume:** By default, the current working channel is displayed, ranging from "01-20" for a total of 20 working channels. When pressing the volume [+] or [-] button, the display will show the volume level, ranging from "U1-U8" for a total of 8 volume levels. After 3 seconds, it will return to the channel value. If there is no operation for 10 seconds, the display screen will automatically turn off.
- ⑨ **High/Low Power Switch:** Simultaneously press the [M] button and the [-] button for low power mode. The display screen will show the "E0" low power prompt. Simultaneously press the [M] button and the [+] button for high power mode. The display screen will show the "E1" high power prompt. (The wireless range for low power mode is about 10 meters, and for high power mode, about 40 meters.)

■ Operation Instructions

I. Pairing Method

The products are paired by factory default and will automatically connect to each other once powered on. No extra pairing is required. If there is signal interference, follow the below steps to re-pair or change frequency.

Handheld Microphone

1. Frequency Pairing

- ① Ensure that both the wireless handheld mic and the amplifier are powered off.
- ② Turn on the power of the wireless handheld mic, then unscrew the bottom end of the mic to open the tailpipe. Press and hold the HI/LO button on the mic for 3 seconds until the screen starts flashing rapidly. Immediately turn on the power switch of the amplifier to start the frequency pairing. If the amplifier is not turned on within 10 seconds, the pairing will fail.
- ③ When the frequency value on the handheld mic stops flashing, and the UHF indicator light on the amplifier becomes solid blue, speaking into the handheld mic now should produce sound, indicating successful pairing. If there is no sound when speaking into the mic, please follow the above method to re-pair.

2. Frequency Changing

Turn on the power switches of both the amplifier and the wireless handheld mic. Make sure they are already paired successfully. Then, press the HI/LO button to switch frequencies. The screen will display the changed frequency value.

Headset Microphone**1. Frequency Pairing**

- ① Ensure that both the headset mic and the amplifier are powered off. Then, turn on the power of the headset mic. Press and hold the [M] button on the mic for 3 seconds until the display screen starts cycling. Immediately turn on the power of the amplifier. Wait for the display screen of the mic to change from cycling to a static value. Speaking into the headset mic now should produce sound, indicating successful pairing. If the amplifier is not turned on within 10 seconds, the pairing will fail, and the display screen will transition from cycling to a static value.
- ② If there is no sound when speaking into the headset mic, it means the pairing was unsuccessful. Please follow the above method to re-pair.

2. Frequency Changing

Turn on the power of both the amplifier and the headset mic. Make sure they are already paired successfully. Press the [M] button on the headset mic to enter frequency change mode. The display screen will start flashing. In this mode, use the volume [+] and [-] buttons to switch to the desired frequency in an upward or downward direction. Long press the buttons for quick channel jumping. Press the [M] button again to confirm frequency selection. If there is no confirm operation with the [M] button for 3 seconds, the frequency will stop flashing and automatically set to the frequency currently selected.

II. Wireless Playback Pairing

Upon first use, you need to connect this device to your phone or Bluetooth device for wireless playback, following below steps:

1. Power up the amplifier, press the [M] button to switch to wireless playback mode and start pairing, the function indicator will flash rapidly.
2. Enter SETTINGS menu on your phone, find and enable wireless function, wait until "TAKSTAR E17" is discovered and tap on it to connect. When connected successfully, the function indicator will flash slowly in blue and there will be a voice prompt about wireless connected.
3. The next time you switch to wireless playback mode, the amplifier will automatically connect to the previously paired device.
4. When in wireless playback mode, press and hold the Play/Pause button to disconnect paired device.

■ Safety Instructions

To avoid electric shock, overheat, fire, radiation, explosion, mechanical risk and injury or property loss due to improper use, please read and observe the following items before use:

1. Please check if the power of the connected equipment matches with that of this product before operation. Adjust the volume to proper level during operation. Do not operate at over-power or high-volume level for extended time to avoid product malfunction.
2. If there is any abnormality during use (e.g., smoke, strange odor), please kill the power switch and unplug from power source, then send the product to the local dealer for repair.
3. Power adapter used, if any, should be approved by CCC certification or similar standards and comply with the power supply requirements.
4. Keep this product and its accessories in a dry and ventilated area. Do not store in a humid or dusty area for extended time. Keep away from fire, rain, liquid intrusion, bumping, throwing, vibrating, or from blocking any ventilation openings, to prevent malfunction.
5. The product must, when installed on walls or ceilings, be fixed firmly in place at adequate strength to prevent from falling.
6. Please abide by safety rules during operation. Do not use the product in places prohibited by laws or regulations to avoid accident.
7. Do not disassemble or repair the product by yourself to avoid injury. If you have any questions or require any services, please contact our local after-sales service.

■ Label Meanings



This symbol indicates that this product should not be disposed of with your household waste, according to the WEEE directive (2012/19/EU) and your national law. This product should be handed over to an authorized collection site for recycling waste electrical and electronic equipment (WEEE). Improper handling of this type of waste could have a possible negative impact on the environment and human health due to potentially hazardous substances that are generally associated with WEEE. At the same time, your cooperation in the correct disposal of this product will contribute to the effective usage of natural resources. For more information about where you can drop off your waste equipment for recycling, please contact your local city office, waste authority, or your household waste disposal service.

■ About This Manual

This manual contains up-to-date technical specifications as of printing. However, specifications contained herein may not conform to your particular product since Takstar is constantly improving its products. Also, specifications, devices or accessories available may vary from region to region. If you have any questions, please contact our local sales outlet. For the latest version/more information, please visit our website:

<https://www.takstar.com/>

注意事项:

1. 本单为保修凭证, 请用户妥善保管, 如有遗失, 恕不保修或退换。
2. 保修期限制: 购买之日起十二个月内。
3. 除了不可抗力事件损坏外, 由本公司负责, 免费维修。
4. 如属保管不善或使用不当造成的损坏, 维修点将酌情收费。
5. 擅自拆卸维修者, 不予保修。
6. 以上保修条款仅限于中国市场适用 (不含港澳台地区)。

产品服务保证书

姓名: _____ 电话: _____ 地址: _____
商品: _____ 型号: _____ 购买日期: _____ 年 _____ 月 _____ 日

维修记录栏 (由维修员填写)	维修员签名	日期

◆ 广东得胜电子有限公司 ◆ 电话: 400-6828-333 ◆ 地址: 广东省惠州市博罗县龙溪街道雷康一路2号



扫一扫，了解更多产品
Scan for more
product information

广东省电声工程技术研究开发中心 广东得胜电子有限公司制造

地址：广东省惠州市博罗县龙溪街道富康一路2号

服务热线：400 6828 333 传真：0752 6383950

邮箱：xs@takstar.com

网址：www.takstar.com

Guangdong Takstar Electronic Co., Ltd.

Address: No. 2 Fu Kang Yi Rd., Longxi Boluo

Huizhou, Guangdong 516121 China

Tel: 86 752 6383644 Fax: 86 752 6383952

Email: sales@takstar.com

Website: www.takstar.com